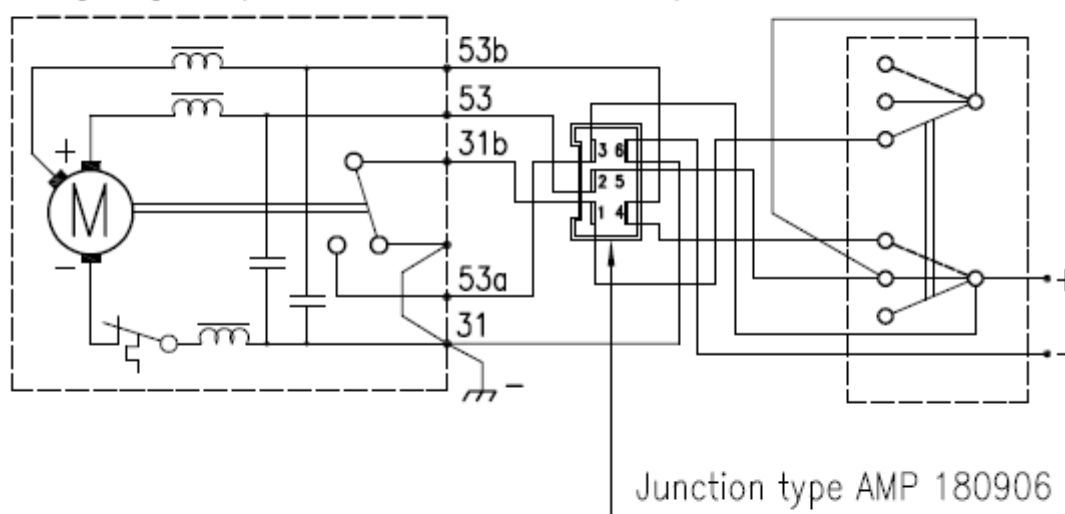


Motor performances			
No load working datas			Static torque
Speed	Curr. intensity	Rpm	
n1	≤ 0.8 A	42 ±5	≥15Nm
n2	≤ 1.5 A	52 ±5	
Test voltage 26 V			

Wiring diagram (Junction block front side view)



Legenda

- Pos.4 53b
- Pos.1 31b
- Pos.2 53
- Pos.3 53a
- Pos.6 31

Legenda

- 53b Gray (Second speed)
- 31b Blue-White (Stop)
- 53 Blue (First speed)
- 53a Blue-Black (Positive)
- 31 Black (Negative)